

**STORAGE BUILDING CLADDING  
ESSEX REGION CONSERVATION AUTHORITY  
360 FAIRVIEW AVENUE WEST, ESSEX  
ADDENDUM NO. 1**

May 24, 2024

---

This Addendum consists of 2 pages and 2 attachments (3 pages).

The following items shall amend and supersede the Tender Documents dated May 10, 2024:

**CONFIRMATION OF BIDDING LIST**

The following Contractors were in attendance at the Mandatory Site Meeting on May 17<sup>th</sup>, 2024:

1. Bartlett Restoration
2. Quinn Roofing Solutions
3. Titan Contracting Inc.

**QUESTIONS / CLARIFICATIONS**

Q1: Please confirm the spacing and/or size of the Z girt.

A1: Z girt to be 5" at 16" o/c.

Q2: Can we price metal siding CL435.

A2: CL3035, manufactured by VicWest is an acceptable substitution to CL439. In addition, 26 gauge Optimum Rib by Agway is an acceptable substitution.

Q3: How should the downspouts be integrated into the metal siding assembly?

A3: See attached sketch.

Q4: Can the steel plates above the openings be removed?

A4: Engineer to review plates prior to removal.

C1: Acceptable overhead doors are:

1. G – 5000 by Garaga; or
2. Engineer approved equal.

C2: All doors to be insulated.

C3: Entire overhead door assembly to be removed and replaced, including track. Operator to be Liftmaster MH or engineer approved equal. See attachment for operator specifications.

C4: ERCA staff will remove growth as required on east side of building.

**ATTACHMENTS**

Downspout Sketch (1 page)

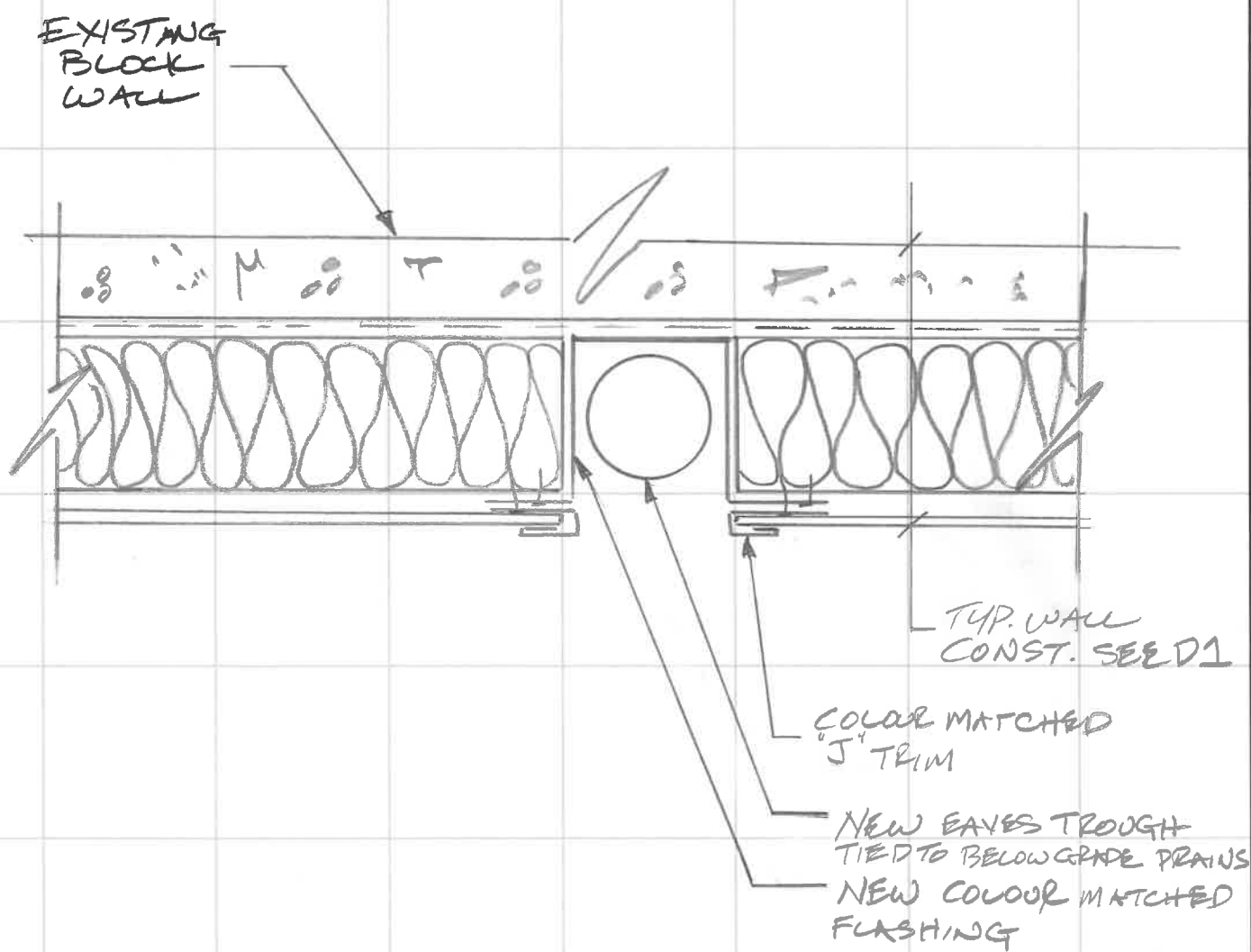
Operator Specifications (2 pages)

**END OF ADDENDUM NO. 1**

**Project No. 224007**

**May 24, 2024**

**Chall. Eng. Consulting Engineers**  
**12222 Tecumseh Road East, 2<sup>nd</sup> Floor**  
**Tecumseh, Ontario**  
**Tel: 519-979-7333**  
**Email: [jdidomenico@cec14.com](mailto:jdidomenico@cec14.com)**



PROJ. No. 224007 | By: CEC  
 ISSUED FOR: ADDENDUM 1  
 \_\_\_\_\_  
 \_\_\_\_\_  
 \_\_\_\_\_  
 \_\_\_\_\_

DOWNSPOUT SKETCH

SHEET / OF / DATE: 2024/05/24

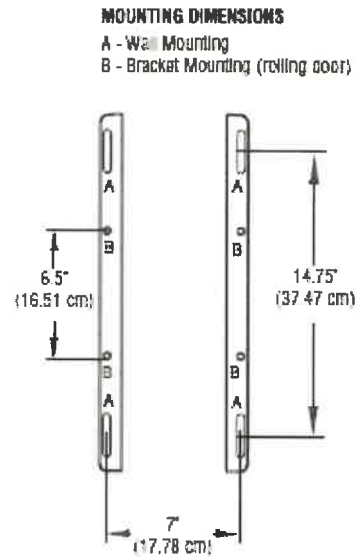
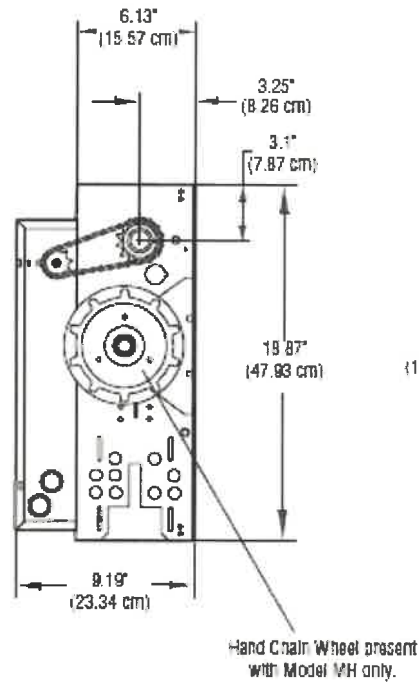
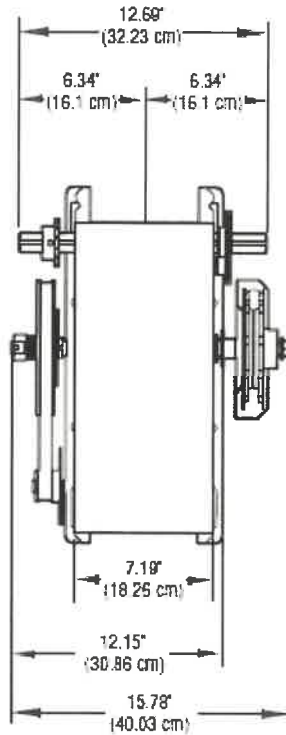
**Cha!Eng.**  
 CONSULTING ENGINEERS  
 12222 Tecumseh Road East, Second Floor  
 Tecumseh, Ontario, Canada N8N 1L9  
 Tel: 519-979-7333  
 Fax: 519-979-7331  
 cec@cec14.com

# OPERATOR SPECIFICATIONS

## WEIGHTS AND DIMENSIONS

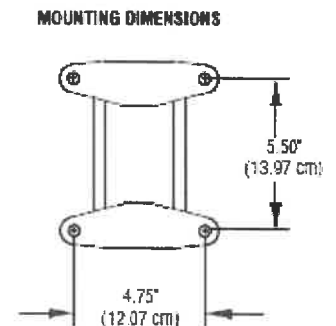
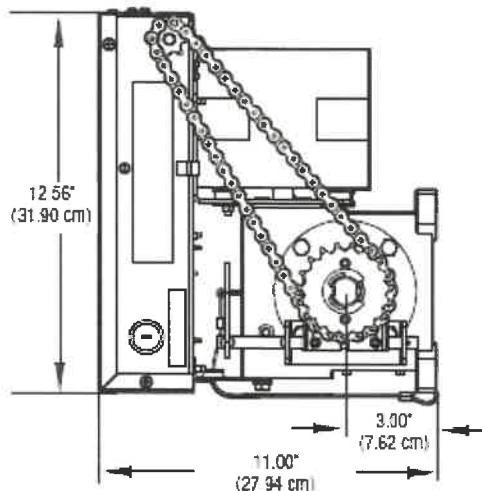
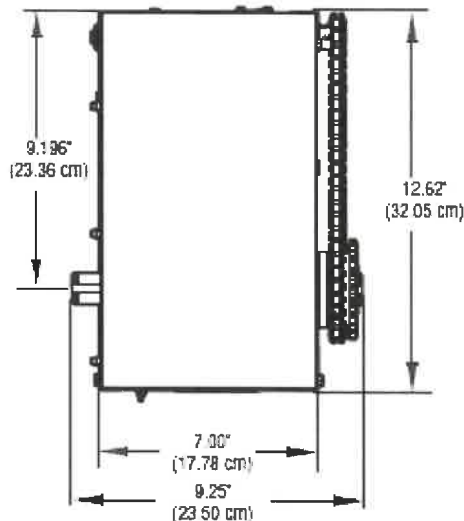
### MODELS MH, MJ, AND MHS

Hanging Weight: 60-70 LBS. (27.22-31.75 kg)



### MODEL MGJ ONLY

Hanging Weight: 60 LBS. (27.22 kg)



# OPERATOR SPECIFICATIONS

---

## MOTOR

**TYPE:**..... Limited duty  
**HORSEPOWER:**..... 1/2 HP  
**VOLTAGE:**..... 115 Vac, Single Phase, 60 Hz  
**FULL LOAD AMPS:**..... 6.0 Amps

## MECHANICAL

**DOOR SPEED:**..... Approximately 9" (23 cm) / second  
depending on door setup  
**OUTPUT FORCE:**..... 125 ft. lbs / sec.  
MGJ ONLY ..... 40 ft. lbs / sec.  
**OUTPUT RPM:**  
MJ ..... 80 RPM  
MH ..... 80 RPM  
MHS ..... 38.6 RPM  
MGJ ..... 23 RPM  
**LIMIT ADJUST:**..... Fully adjustable up to 14' door Max  
**DUTY:**..... 12 Cycles per Hour Max  
50 Cycles per Day Max  
**DRIVE TRAIN:**..... Maintenance Free Bearings  
Maintenance Free Bearings  
MGJ ONLY ..... Wormgear-in-Oil-Bath Reducer  
**FINISH:**..... Powder coated, Corrosion Resistant Steel

## ELECTRICAL

**OPERATOR VOLTAGE:**..... 115 Vac, Single Phase, 60 Hz  
**WIRING TYPE:**..... C2 (Standard) B2 Configurable  
(See Basic Programming Section)  
**CONTROL WIRING:**..... 16-22 AWG

## SAFETY

### DISCONNECT:

MH ..... Floor level chain hoist for  
manual chain hoist operation.  
MJ ..... Floor level disconnect for  
manual operation.  
MHS ..... Both MH and MJ type disconnects described above.  
MGJ ..... Floor level disconnect for  
manual operation.

### ENTRAPMENT PROTECTION:

#### LiftMaster Monitored Entrapment Protection (LMEP)

Photoelectric Sensors (CPS-U): ..... Through beam  
used to provide non-contact safety protection.  
Safety Edge (Optional): ..... Electric or pneumatic sensing  
device attached to the bottom edge of door.  
(see Accessory Page 27)

## ENVIRONMENTAL

**LOCATION:**..... Indoor, dry location  
**OPERATING TEMPERATURE:**..... -4° F to + 122° F  
(-20° C to + 50° C)

UL Listed to 40° C: Chamberlain tested to 50° C